

# ModBlox

## INSTRUCTION MANUAL



### **ModBlox Hex / Hex Wide**

30 Minute Approximate Build Time

3 People Recommended For Assembly

ModBlox – a modular revolution for your garden space!

# GENERAL INFORMATION

**IMPORTANT** – Before undertaking any work, first take measurements of your planned install location so you can work out before you begin the build if you are going to have adequate space not only for the structure, but around it (if appropriate) for access.

Assembling your ModBlox pergola is fun and easy, even for novices with little or no building experience. Assembly with a friend can be done in as little as an hour (longer if your pergola includes roof rafters and/or a privacy wall). You won't need any speciality tools, either... just a drill, tape measure, level, ladder and saw (if required).

Our ModBlox pergola kits include everything you'll need to assemble your own beautiful garden pergola except the Post Mix / Ground Fixings (sold separately).

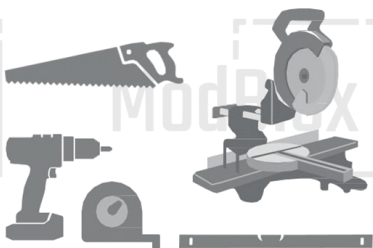
## SAFETY INFORMATION

- Do not leave your pergola unattended before installation is complete and the pergola is secured to the ground.
- Follow instructions precisely to avoid injury to yourself or others.
- Avoid scratching or bending the ModBlox pergola brackets to protect against damaging the coating which can lead to potential rusting.
- Safety glasses and safety gloves are encouraged during installation.
- Avoid installing your ModBlox pergola during inclement weather including rain, snow or windy conditions.
- In the event that you have pieces missing, please contact us at [hello@ModBlox.com](mailto:hello@ModBlox.com)

## RECOMMENDED TOOLS



Wear protective gloves, glasses and ear protectors where appropriate.

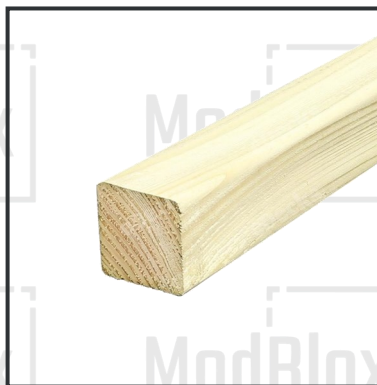


Hand Saw / Table Saw, Drill driver, Tape Measure, Spirit Level

# KIT CONTENTS



**6 x ModBlox  
3Way 30° Brackets**

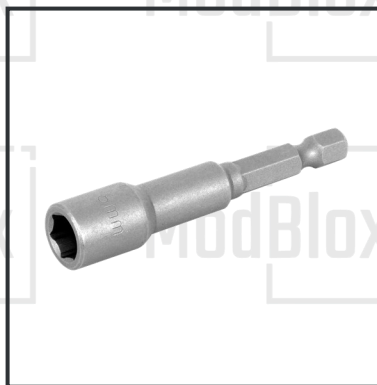


**6 x Roof Beams  
(92mm x 92mm)**

**6 x Upright Posts  
(92mm x 92mm)**



**72 x 40mm Fixing  
Screws with Caps**



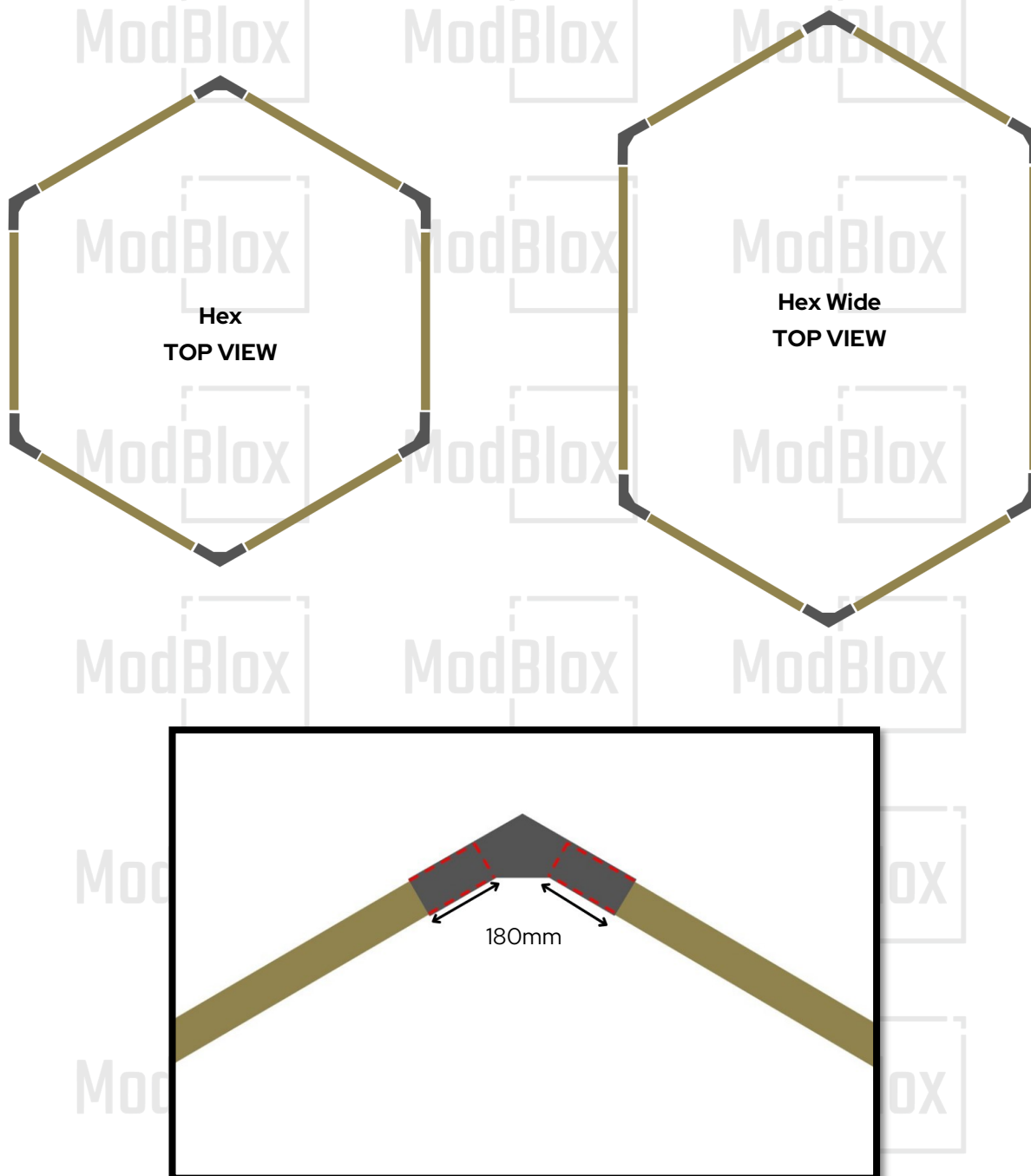
**1 x 8mm Hex Head  
Driver Bit**

# STEP 1 - Roof Assembly

Lay out the roof beams and the six 3way brackets included in your kit as per the top view diagram below.

The vertical arm of the brackets should be facing downwards.

Before beginning measure 180mm from each end of our posts and mark them with a pencil, this is how much of the posts need to be inserted into the ModBlox fitting to ensure everything stays equal on each side.

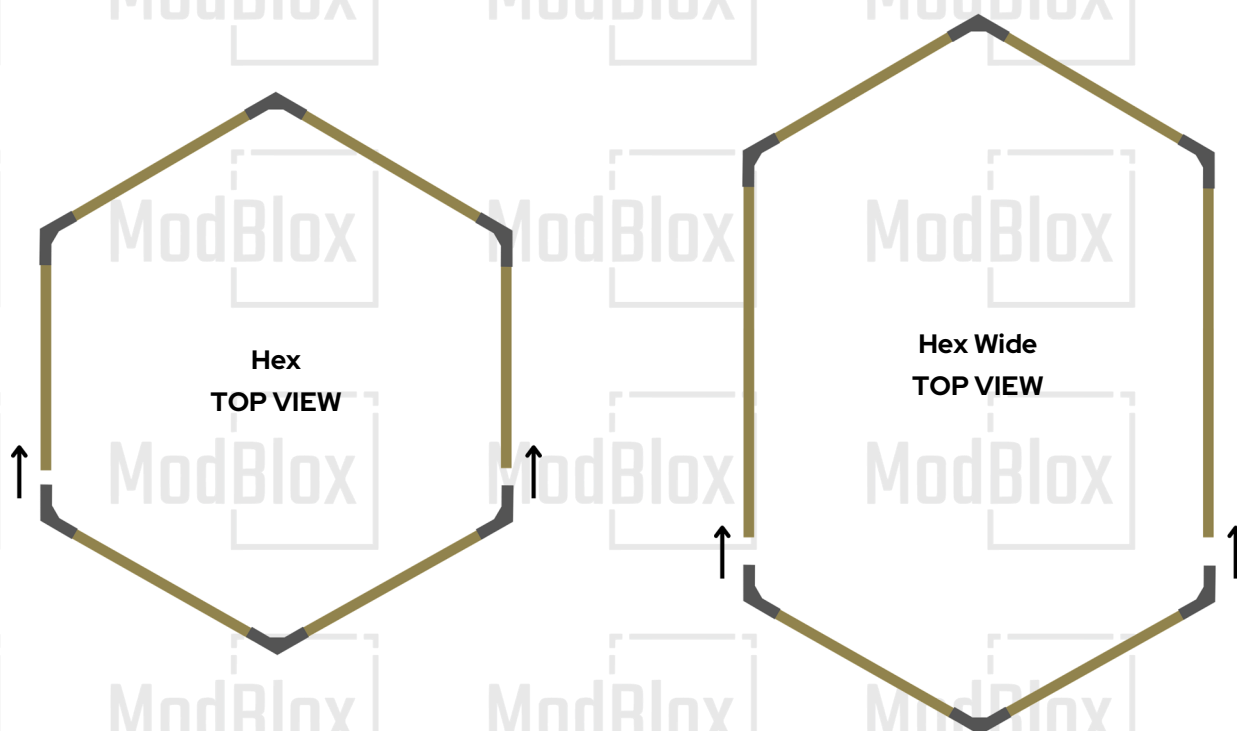


# STEP 1 - Roof Assembly Cont'd

To ensure your pergola slides together in the easiest way, we recommend building the roof frame in two pieces as indicated below.

This will allow you to then have two brackets that are parallel when sliding together to complete the frame rather than at an angle which may make it difficult to insert the timber.

All ModBlox fittings are to be secured in place using 4 x 40mm Fixing Screws, 2 on each side of the fitting, see image below for reference.



## STEP 2 - Installing Corner Posts

With the roof frame all joined together securely the corner posts can now be added.

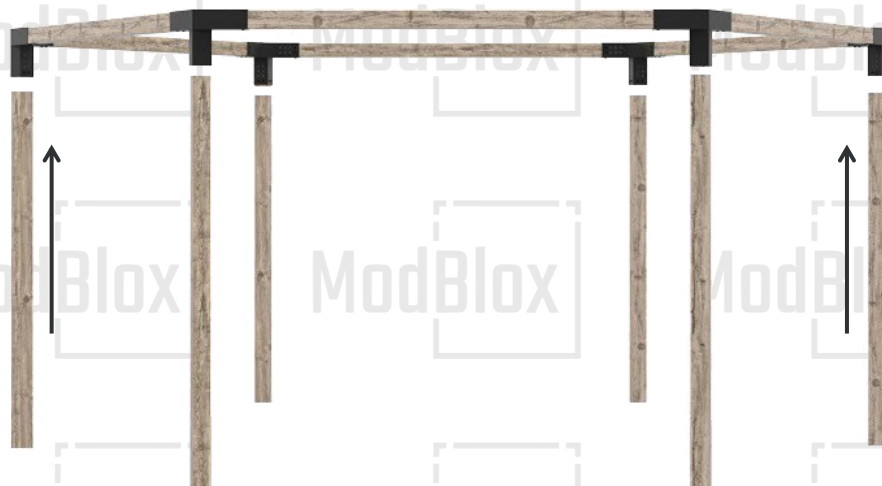
For this part of the build we recommend 3 people.

Lift one side of the assembled roof with the assistance of 1 or 2 helpers, and slide into position the corner posts into both 3way brackets on that side until they hit the top of the brackets. Secure the posts to the 3way brackets using the provided 40mm fixing screws and finish with the screw caps.

## STEP 2 - Installing Upright Posts

With the roof frame all joined together securely the corner posts can now be added.

Lift one side of the assembled roof with the assistance of 1 or 2 helpers, and slide into position the corner posts into the Apex TriSleeve bracket until they hit the top of the brackets. Secure the posts to the brackets using the provided 40mm fixing screws and finish with the screw caps.



With the first set of legs added and secured in place, the others can now be added, following the same method.

### NOTE:

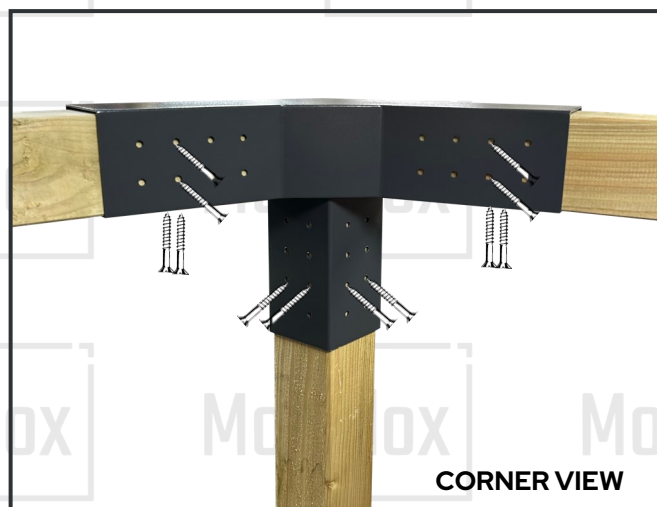
*If you need to use ladder to reach the corner bracket to fix the screws in place, ask a friend to assist and take standard safety measures into consideration to avoid injury.*

The image on the right shows how we expect all four of the corners to look once you have everything secured in place.

Each Apex TriSleeve bracket in your kit includes 12 x 40mm fixing screws and caps.

See the screw diagram to the right to see which 12 holes the screws should go in.

(Additional holes are for attaching accessories.)



# STEP 3 - Ground Fixing

With the build complete you now need to fix the pergola in its final position. It is important to attach it in the right way to the surface on which it will stand.

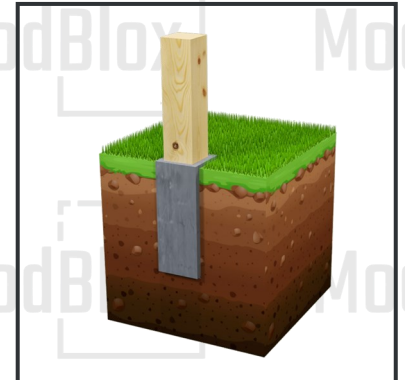
If you have purchased one of our kits you will have chosen one of the three options outlined below.

A general rule to remember for all footings is that it should be level. The footing should also be firm, so that the pergola is well anchored and stands stable even in strong winds and remain solidly fixed for years to come.

## OPTION A - Concrete In (2.7m Posts)

If you have chosen our concrete in option, your kits will come provided with longer posts, allowing for 600mm to be bedded into the ground and fixed with concrete/postmix. (sold separately).

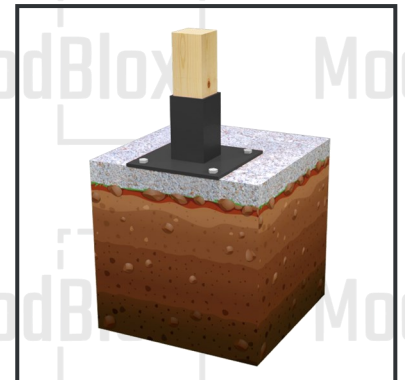
This will leave your pergola with a finished high of approximately 2.1m / 7ft.



## OPTION B - UniSleeves (2.1m Posts)

Bolt down anchors are the ideal to secure your posts onto a concrete base, brick wall, or other hard flat surfaces such as decking.

We recommend using a Hex Head M8 x 60mm Thunderbolts or similar (sold separately). Simply line up your anchor in your chosen final position that drill a hole using the correct masonry drill bit, remove the dust and debris and wind in until fastened down tight. The anchors can then be tightened to the post using the 2 bolts on the side which locks it into its final position



## OPTION C - Uni Spikes (2.1m Posts)

Steel spikes are designed for soft ground and areas with no hard standing, the advantage of spikes is that they remove the need to dig post holes and pour concrete.

Simply place the spike in the location you desire and hammer it into the ground with a sledge hammer, we recommend using an off cut of timber to avoid damaging the spike.

The further the spike is into the ground the harder it will be to realign, so check the level frequently as you go deeper. The spike can then be tightened to the post using the 2 bolts on the side which locks it into its final position.

